



ORDER FORM

Machinery Guards

\_\_\_\_\_ Date

\_\_\_\_\_ Purchase Order

Fill in required information, mark the shaft layout and sheave position diagrams below.

Customer \_\_\_\_\_

Quantity \_\_\_\_\_

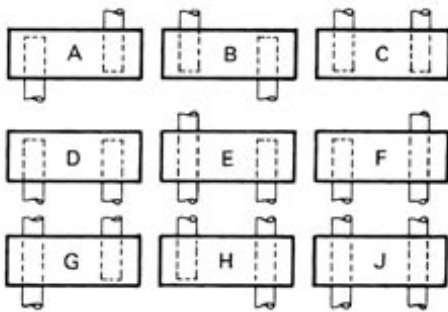
| ITEM DESCRIPTION  |  | DIMENSION |
|-------------------|--|-----------|
| "CD"              | Center Distance  |           |
| "S"               | Driven Sprocket or Sheave O.D.   |           |
|                   | Bore Size of "S"   |           |
| "S1"              | Drive Sprocket or Sheave O.D.  |           |
|                   | Bore Size of "S1"  |           |
| "R"               | Sprocket or Sheave $\frac{O.D.}{2} + 2 \frac{1}{2}"$   |           |
| "R1"              | Sprocket or Sheave $\frac{O.D.}{2} + 2 \frac{1}{2}"$   |           |
| "W"               | Length of Longest Hub Plus 1-1/2" for Opening in One Side, 2" for Openings on Both Sides of Guard. |           |
| "T"               | Take Up — One Chain Pitch  |           |
| Optional Features |  |           |

| TYPE OF GUARD                           | MATERIAL                                 |
|---|--|
| Expanded Metal <input type="checkbox"/> | Carbon Steel <input type="checkbox"/>    |
| Solid Panels <input type="checkbox"/>   | Stainless Steel <input type="checkbox"/> |
|   | Aluminum <input type="checkbox"/>        |
|   | _____ <input type="checkbox"/>           |

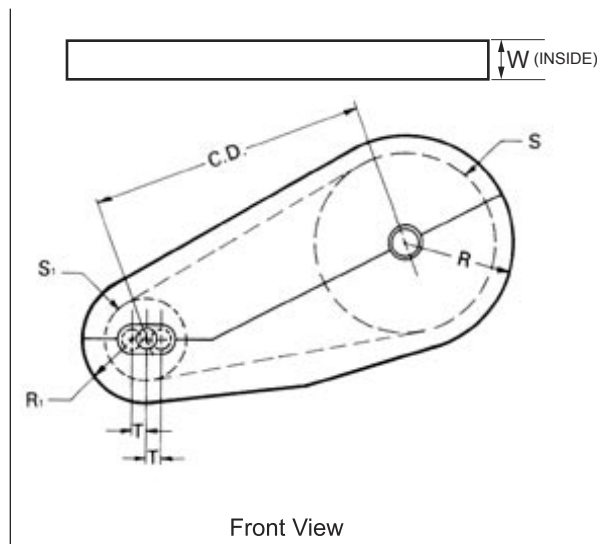
**SHEAVE POSITION DIAGRAM**

1. Shade in applicable driven sheave position.
2. Fill in center distance dimension.
3. Fill in horizontal and vertical location dimensions.
4. Horizontal take up is standard. If vertical take up is required, please specify.

Mark Correct Top View of Guard for Required Shaft Arrangement.

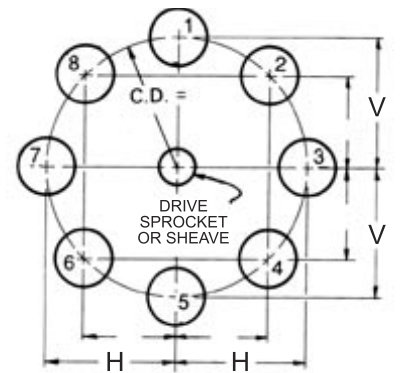


Top View



Front View

Mark Correct Sprocket or Sheave Position



Sheave Position