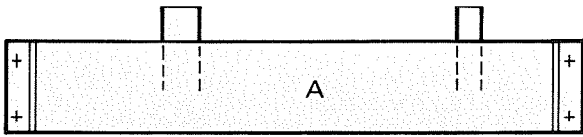
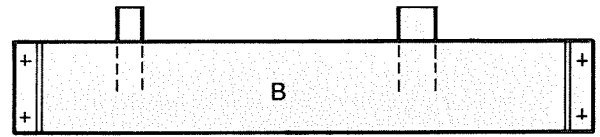


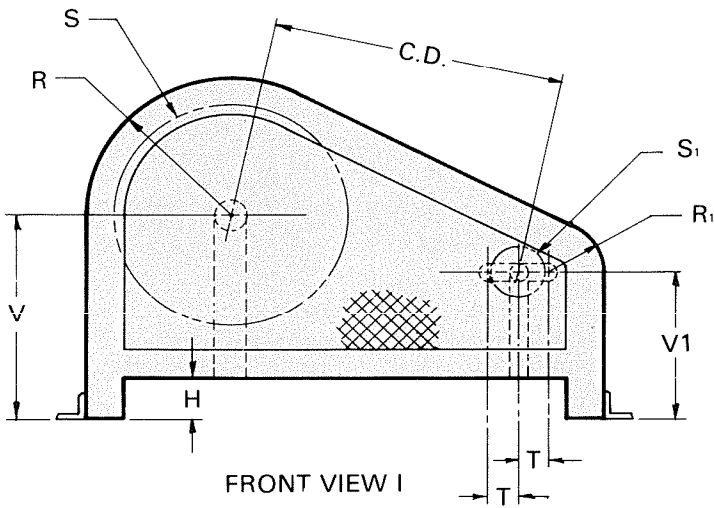
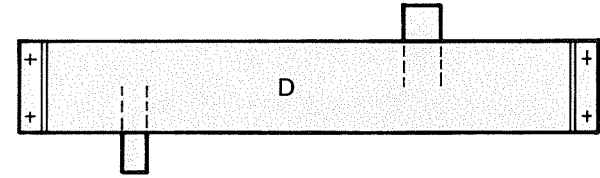
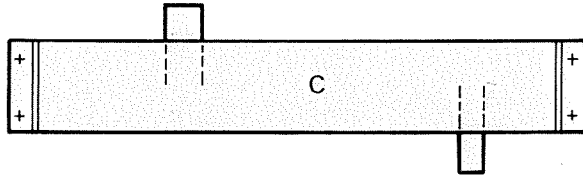
Free Standing Guards



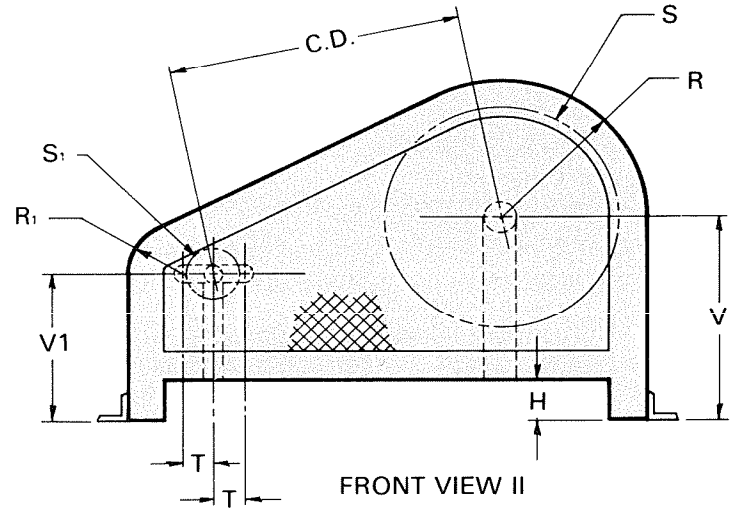
TOP VIEW



TOP VIEW



FRONT VIEW I



FRONT VIEW II

Customer		Order #	Quantity
FRONT VIEW		I <input type="checkbox"/>	II <input type="checkbox"/>
		TOP VIEW	A <input type="checkbox"/> B <input type="checkbox"/> C <input type="checkbox"/> D <input type="checkbox"/>
ITEM	DESCRIPTION	DIM.	
S	Sprocket O.D.		
	Bore Size S		
S ₁	Sprocket O.D.		
	Bore Size S ₁		
R	Sprocket $\frac{O.D.}{2} + 2$		
R ₁	Sprocket $\frac{O.D.}{2} + 2$		
T	Take Up		
Width (inside)	Length of Longest Hub + 1 1/2" for opening in one side, 2" for opening on both sides		
ITEM	DESCRIPTION	DIM.	
C.D.	Center Distance		
V	Vertical Height		
V ₁	Vertical Height		
H	Panel Clearance		
Expanded Metal			
		<input type="checkbox"/> near side	<input type="checkbox"/> far side <input type="checkbox"/> both sides
Solid Panel			
		<input type="checkbox"/> near side	<input type="checkbox"/> far side <input type="checkbox"/> both sides

